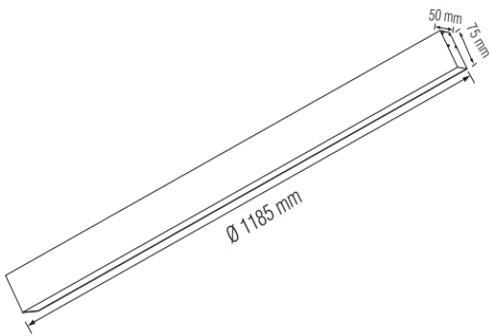


LED LINEAR SUSPENSION LIGHT

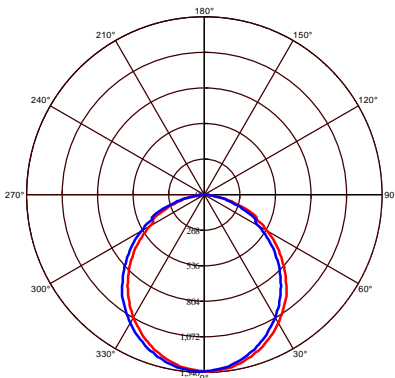


- BLACK**
- WHITE**

Technical Drawing



Photometric Diagram



↳ C0 Plane beam angle(50°) ↳ C90 Plane beam angle(50°)
 C0 Plane beam angle(50°):105.3(DEG) C90 Plane beam angle(50°):105.5(DEG)

Technical Data

Voltage (V)	170-265V
Product Wattage (W)	40
Equivalence with incandescent lamp(W)	320
Colour Render Index (Ra)	>Ra80
Colour Temperature (K)	4000K
Materials	Aluminium + PC
Protection Class	I
Dimmable	No
Warm-up time up to 60 % of the full light output	Instant Full Light
Luminous Flux (lm)	3200
Luminous Efficacy (lm/W)	80
Rated Life (hrs) ⌚	70.000
IP Rating	20
Power Factor	>0.9
Beam Angle	120°

Applications

- LED Suspension Light has been specifically designed for use indoors and is ideal for both hospitality and residential lighting.



Features

- High Lumen and CRI, Good quality & Constant Current driver.
- High heat dissipation, low carbon and environmental protection.
- SMD LED Lamp Base
- Very low energy consumption

